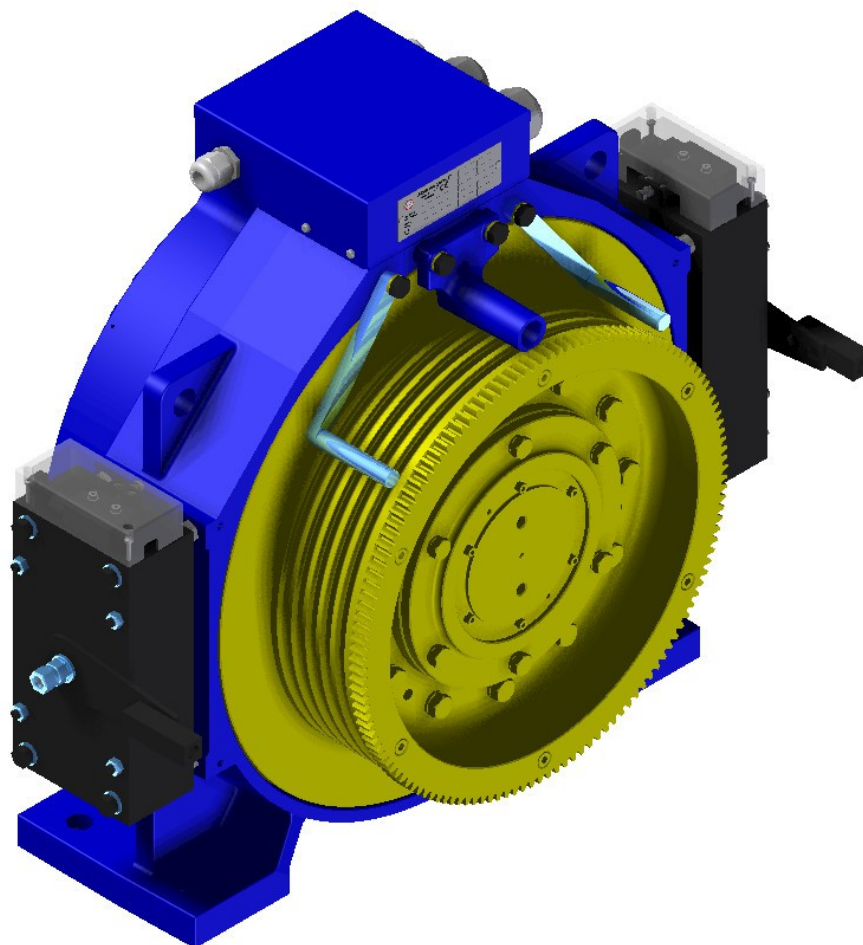
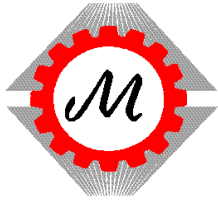


Montanari Giulio & C.

**GEARLESS
MGF40
MGF51**





Codice Code	Carico Statico Static Load Charge statique Statische Belastung	Momento torcente nominale Nominal torque moment Moment de torsion nominal Nenn Drehmoment	R.P.M max	Puleggia Sheave Poulie Treibscheiben	Freni Brake Frein Bremse	Peso Weight Poids Gewicht
	kg.	Nm.	min ⁻¹	mm	Nm	kg
MGF40	1600	260 Nm S5 40%ED	240	320	2 x 325	185
MGF51	2500	650 Nm S5 40%ED	240	400	2 x 700	300

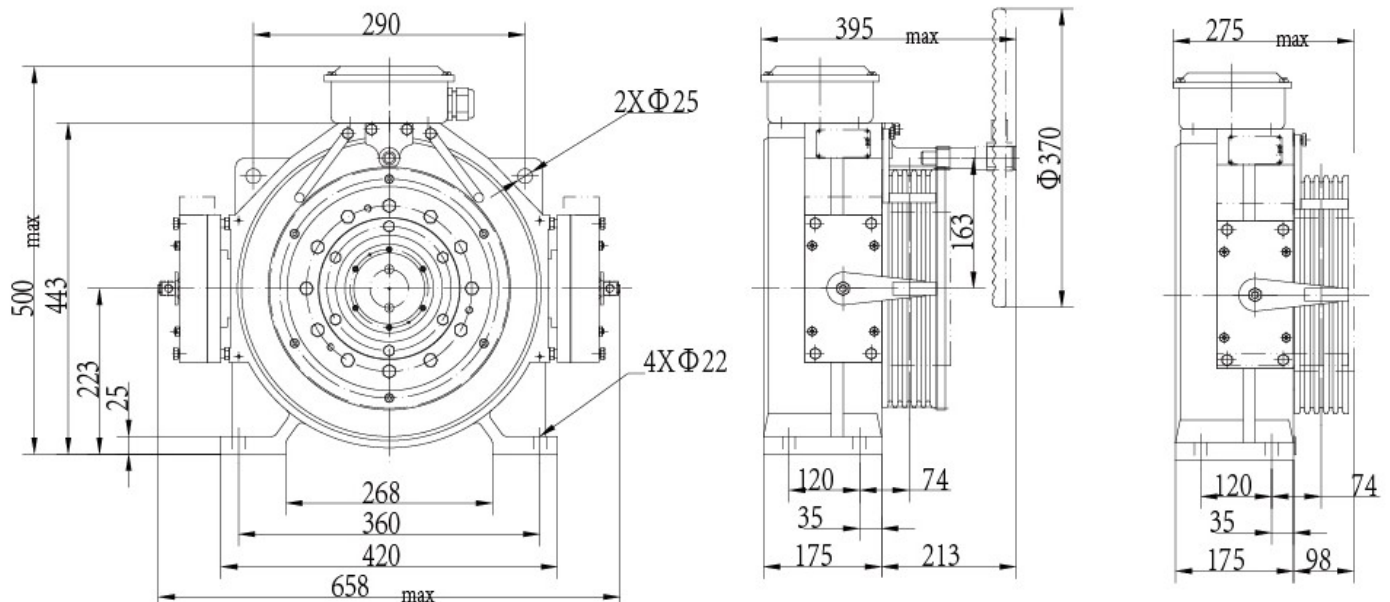
Note:

Encoder standard / Encodeur Standard / Impulgeber Standard:

Heidenhain ERN 487

Heidenhain ECN 413 Endat

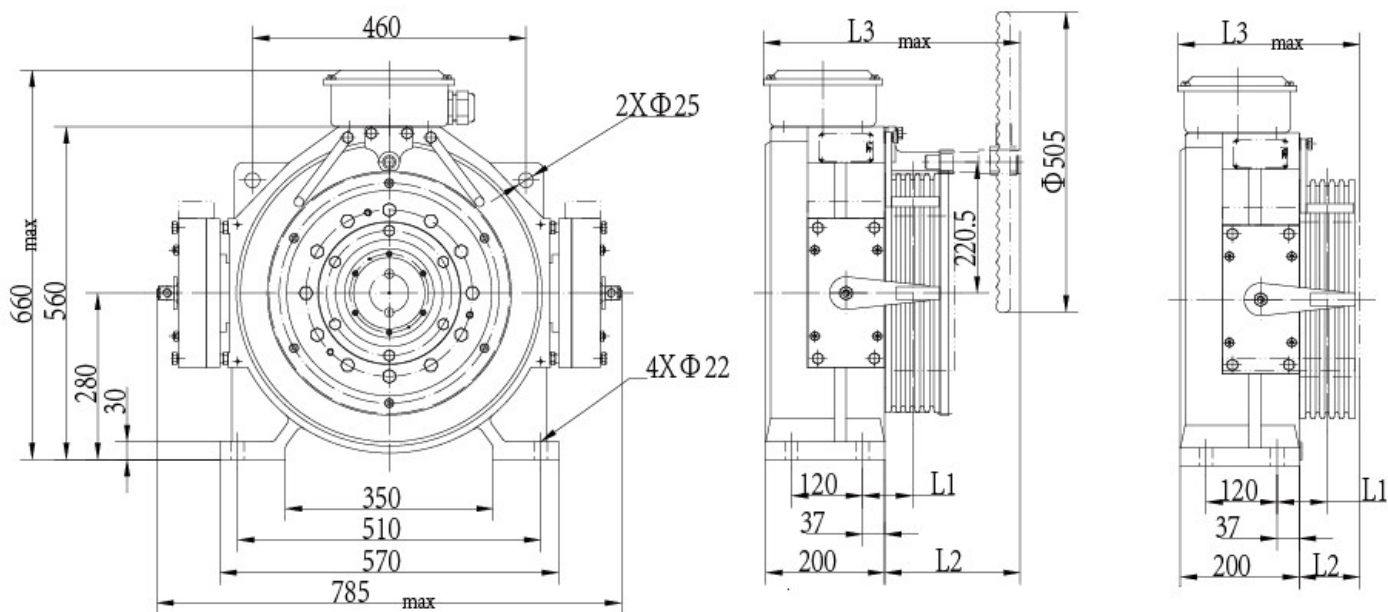
MGF40





Montanari Giulio & C.

MGF51



Tipo Type	N. funi Nr. ropes	L1	L2	L3
		mm	mm	mm
Senza volano Without Hand Wheel	4 - 5	84	105	305
	6	89	115	315
Con volano With Hand Wheel	4 - 5	84	228	435
	6	89	238	445



Applicazioni tipiche / Typical applications
Applications typiques / Typische Ausfuehrungen

Q = Load P = Car	Roping	Type	Sheave	Ropes	speed
			mm	Nr x Φ	m/s
Q = 225 kg P = 300 kg	1:1	MGF40	320	3 x 8	≤ 2.0
Q = 320 kg P = 400 kg	1:1	MGF51	400	4 x 10	≤ 2.5
	2:1	MGF40	320	3 x 8	≤ 2.0
Q = 375 kg P = 500 kg	1:1	MGF51	400	4 x 10	≤ 2.5
	2:1	MGF40	320	3 x 8	≤ 2.0
Q = 400 kg P = 500 kg	1:1	MGF51	400	4 x 10	≤ 2.5
	2:1	MGF40	320	3 x 8	≤ 2.0
Q = 480 kg P = 500 kg	1:1	MGF51	400	4 x 10	≤ 2.5
	2:1	MGF40	320	4 x 8	≤ 2.0
Q = 630 kg P = 800 kg	2:1	MGF51	400	4 x 10	≤ 2.5
Q = 800 kg P = 900 kg	2:1	MGF51	400	5 x 10	≤ 2.5
Q = 1000 kg P = 1100 kg	2:1	MGF51	400	5 x 10	≤ 2.5

Per altre configurazioni contattare / For other configurations please contact: Montanari G. & C. S.r.l.