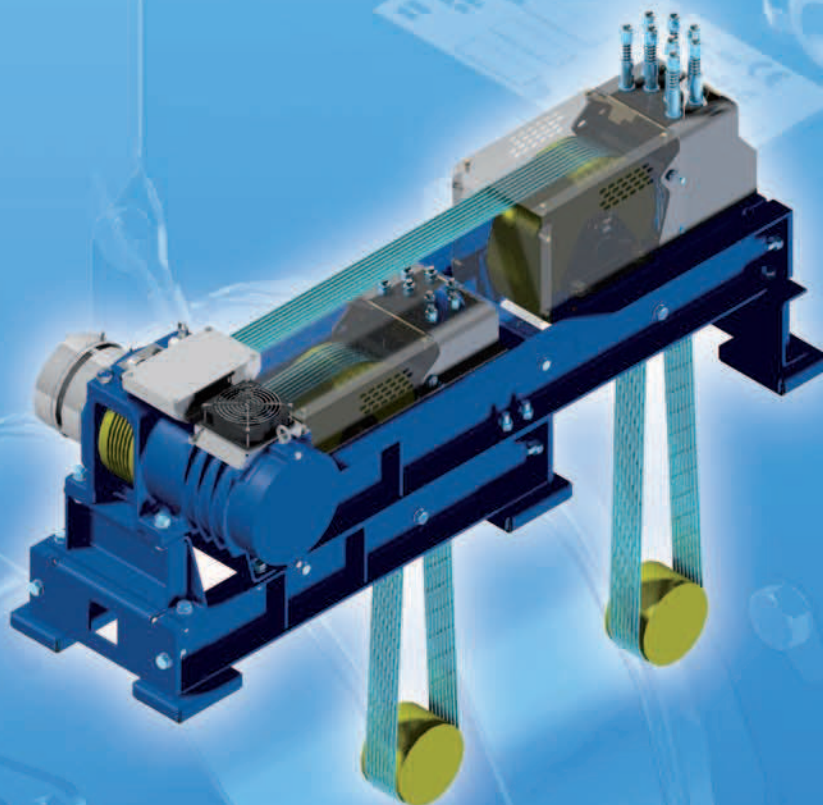
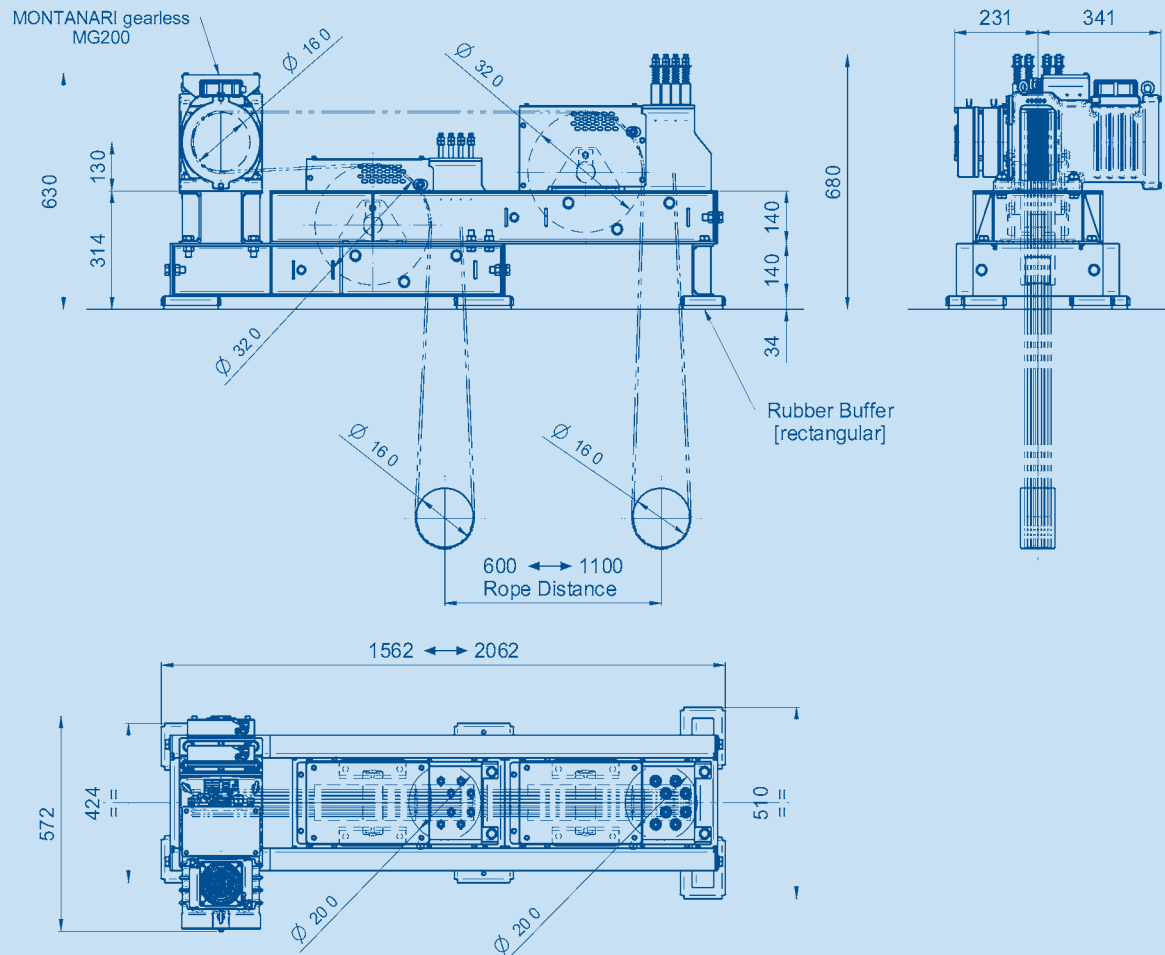


**SOLUZIONE PER MODERNIZZAZIONI
SOLUTION FOR MODERNIZATION
SOLUTION POUR LA MODERNISATION
LÖSUNG FÜR DIE MODERNISIERUNG**

**TIRO / ROPING / MOUFLAGE / AUFHAENGUNG 2:1
PORTATA / LOAD / CHARGE UTIL / NUTZLAST/ MAX 630 KG.**





ESEMPIO / EXAMPLE / EXEMPLE / BEISPIEL:

Funi / ropes / cables / Seilen:

N.8, Drako 250T, 6.5 mm, Minimum breaking Load $F_{min} = 31.5$ kN, Certificate G515 TÜV SUD

Portata / Load / Charge utile / Nutzlast: $Q = 630$ kg.

Massa cabina / Car / Cabine / Fahrkorbgewicht: $P = 900$ kg

Velocità / Speed / Vitesse / Geschwindigkeit

Gole / Grooves / Gorges / Rillen: V 55° hardened

SF min = 31,56, SF reale = 31,83



Codice Code	Carico Statico Static Load Charge Statique Statische Belastung kg	Momento Torcente Nominale Nominal Torque Moment Moment de torsion nomila Nenndrehmoment Nm	R.P.M. max.	Freno Brake Frein Bremse min ⁻¹	Peso Weight Poids Gewicht kg
MG200.3	1600	200 S5 40% ED	400	207 Vcd, 170 W 2 x 280 Nm	98
MGV25.2	1600	265 S5 40% ED	400	207 Vcd, 170 W 2 x 280 Nm	120
MGV25.3	2000	390 S5 40% ED	400	207 Vcd, 170 W 2 x 380 Nm	180
MGV25.5	3400	590 S5 40% ED	400	207/104 Vcd, 600/150 W 2 x 600 Nm	240
MG34S.4	5500	720 S5 40% ED	435	207/104 Vcd, 172/43 W 2 x 750 Nm	370
MG34S.6	5500	1100 S5 40% ED	348	207/104 Vcd, 236/59 W 2 x 950 Nm	445
MGC150	2000	850 S5 40% ED	153	207/104 Vcd, 564/141W 2 x 550 Nm	280
MGV30.4	5500	900 S5 40% ED	249	207/104 Vcd, 564/141W 2 x 750 Nm	450
MGV30.6	5500	1500 S5 40% ED	249	207/104 Vcd, 564/141W 2 x 1200 Nm	520
MDD35	4000	550 S5 40% ED	153	207/104 Vcd, 352/89 W 2 x 1350 Nm	450
MDD70	4000	1100 S5 40% ED	153	207/104 Vcd, 352/89 W 2 x 1350 Nm	470

NOTE:

Alimentazione rete / Power supply network / Réseau d'alimentation électrique / Stromversorgungsnetz: 400V, optional 230V

Encoder standard / Encodeur Standard / Impulsgeber Standard:

Heidenhain ERN 487

Heidenhain ERN 413 Endat

MG200: puleggia / Sheave / Poulie / Treibscheibe: Ø160 – 210 mm



TIRO / ROPING / MOUFLAGE / AUFHAENGUNG: 1:1

Q=Load P=Cabin	TYPE	PULLEY	ROPES	MAX STATIC LOAD	NOTE	
Q=225kg	MG200	210mm	3x6,5mm	1600kg		
	MGV25.2	240mm	3x6,5mm	1600kg		
P=300kg	MG250.3	320mm	3x8mm	3400kg		
	MGG150	400mm	3x8mm	2000kg		
	MDD035	400mm	3x8mm	4000kg		
Q=320kg	MG200	160mm	7x6,5mm	1600kg		
	MG200	210mm	4x6,5mm	1600kg	Duty 30%	
	MGV25.2	210mm	4x6,5mm	1600kg		
	MG250.3	240mm	3x6,5mm	3400kg		
	MGV25.3	320mm	4x8mm	3400kg		
	P=400kg	MG250.5	320mm	4x8mm	3400kg	
		MCG150	400mm	3x8mm	2000kg	
MDD035		400mm	3x8mm	4000kg		
Q=375kg	MG200	160mm	8x6,5mm	1600kg		
	MG200	210mm	5x6,5mm	1600kg	Duty 25%	
	MG250.3	210mm	5x6,5mm	3400kg		
	MGV25.3	240mm	5x6,5mm	3400kg		
	P=500kg	MG250.5	320mm	4x8mm	3400kg	
		MCG150	400mm	3x8mm	2000kg	
		MDD035	400mm	3x8mm	4000kg	
Q=400kg	MGV250.3	240mm	5x6,5mm	3400kg		
	MG250.5	320mm	4x8mm	3400kg		
	P=500kg	MCG150	400mm	3x8mm	2000kg	
		MDD035	400mm	3x8mm	4000kg	
Q=480g	MG250.5	240mm	5x6,5mm	3400kg		
	MGV25.5	320mm	4x8mm	3400kg		
	P=500kg	MCG150	400mm	4x10mm	2000kg	
		MDD0701200	400mm	4x10mm	4000kg	
Q=630kg	MG250.5	210mm	7x6,5mm	3400kg		
	MGV25.5	240mm	6x6,5mm	3400kg		
	P=800kg	MG340.4	320mm	5x8mm	5500kg	
		MG300.4	400mm	4x10mm	5500kg	
		MDD0701200	400mm	4x10mm	4000kg	
Q=800kg	MG340.4	240mm	7x6,5mm	5500kg		
	MG340.6	320mm	6x8mm	5500kg		
	P=900kg	MG30.6	400mm	5x10mm	5500kg	
		MDD0701600	400mm	5x10mm	4000kg	
Q=1000kg	MG340.4	320mm	7x8mm	5500kg		
	P=1100kg	MG300.6	400mm	5x10mm	5500kg	

CONDIZIONI - CONDITIONS: EFFICIENZA DELL'IMPIANTO : 81%; SENZA RINVII - INSTALLATION EFFICENCY 81%; NO DIVERTOR PULLEY
FUNI CONSIDERATE - ROPES CONSIDERED: 6,5 mm T250 DRAKO; 8mm 38700N; 10 mm 51900N
Velocità fino ad 1,6m/s; corsa di 20 metri; contrapp. al 50%; 180A/h; 35% Duty - Speed up to 1,6 m/s; 20m travel; counterw 50%; 180A/h; 35% Duty
Per altre configurazioni si prega di contattare Montanari Giulio & C. - For other configurations please contact Montanari Giulio & C.



TIRO / ROPING / MOUFLAGE / AUFHAENGUNG: 2:1

Q=Load P=Cabin Load	TYPE	PULLEY	ROPES	MAX STATIC LOAD	NOTE
Q=320kg	MG200	210mm	3x6.5mm	1600kg	
	MGV25.2	320mm	2x8mm	1600kg	
P=400kg	MCG150	400mm	2x8mm	2000Kg	
	MDD035	400mm	2x8mm	4000Kg	
Q=408kg	MG200	210mm	4x6.5mm	1600kg	
	MGV25.2	320mm	3x8mm	1600kg	
Q=480kg P=500kg	MG200	210mm	4x6.5mm	1600kg	
	MGV25.2	240mm	4x6.5mm	1600kg	
	MCG150	400mm	2x10mm	2000Kg	
	MDD035	400mm	2x10mm	4000Kg	
Q=544Kg P=600kg	MGV250.2	210mm	4x6.5mm	3400kg	
	MGV250.3	320mm (240mm)	3x8mm (4x6.5mm)	3400kg	
	MCG150	400mm	3x8mm	2000Kg	
	MDD035	400mm	3x8mm	4000Kg	
Q=630kg P=800kg	MG200	160mm	7x6.5mm	1600kg	
	MG200	210mm	4x6.5mm	1600kg	Duty 30%
	MGV25.2	210mm	4x6.5mm	1600kg	
	MG250.3	240mm	4x6.5mm	3400kg	
	MGV25.3	320mm (240mm)	4x8mm (5x6.5mm)	3400kg	
	MCG150	400mm	3x8mm	2000Kg	
Q=680kg P=800kg	MDD035	400mm	3x8mm	4000Kg	
	MGV25.3	320mm (240mm)	4x8mm (5x6.5mm)	3400kg	
	MCG150	400mm	4x10mm	2000Kg	
Q=800kg P=900kg	MDD035	400mm	4x10mm	4000Kg	
	MGV25.3	240mm	6x6.5mm	3400kg	
	MGV25.5	320mm	5x8mm	3400kg	
Q=884kg P=1000kg	MCG150	400mm	4x10mm	2000Kg	
	MDD035	400mm	4x10mm	4000Kg	
	MGV25.3	240mm	6x6.5mm	3400kg	
	MGV25.5	320mm	6x8mm	3400kg	
Q=1000kg P=1100kg	MCG150	400mm	4x10mm	2000Kg	
	MDD0701200	400mm	4x10mm	4000Kg	
	MGV25.3	210mm	7x8mm	3400kg	
	MG250.5	240mm	7x6.5mm	3400kg	
Q=1275kg P=1300kg	MGV25.5	240mm	7x8mm	3400kg	
	MG340.4	320mm	7x8mm	5500kg	
	MG300.4	400mm	5x10mm	5500kg	
Q=1600kg P=1700kg	MDD0701600	400mm	5x10mm	4000Kg	
	MG340.4	240mm	9x6.5mm	5500kg	
	MG340.6	320mm	7x8mm	5500kg	
	MG300.6	400mm	6x10mm	5500kg	
Q=2000kg P=2100kg	MDD0701600	400mm	6x10mm	4000Kg	
	MG340.6	320mm	8x8mm	5500kg	
	MG300.6	400mm	7x10mm	5500kg	

CONDIZIONI - CONDITIONS: "EFFICIENZA DELL'IMPIANTO: 81%; SENZA RINVII - INSTALLATION EFFICENCY 81%; NO DIVERTOR PULLEY"
FUNI CONSIDERATE - ROPES CONSIDERED: "6.5mm T250 DRAKO; 8mm 38700N; 10mm 51900N"
 "Velocità fino ad 1,6 m/s; corsa di 20 metri; contrapp. al 50%; 180A/h; 35% Duty - Speed up to 1.6m/s; 20m travel; counterw. 50%; 180A/h; 35% Duty"
 Per altre configurazioni si prega di contattare Montanari Giulio & C. - For other configurations please contact Montanari Giulio & C.

