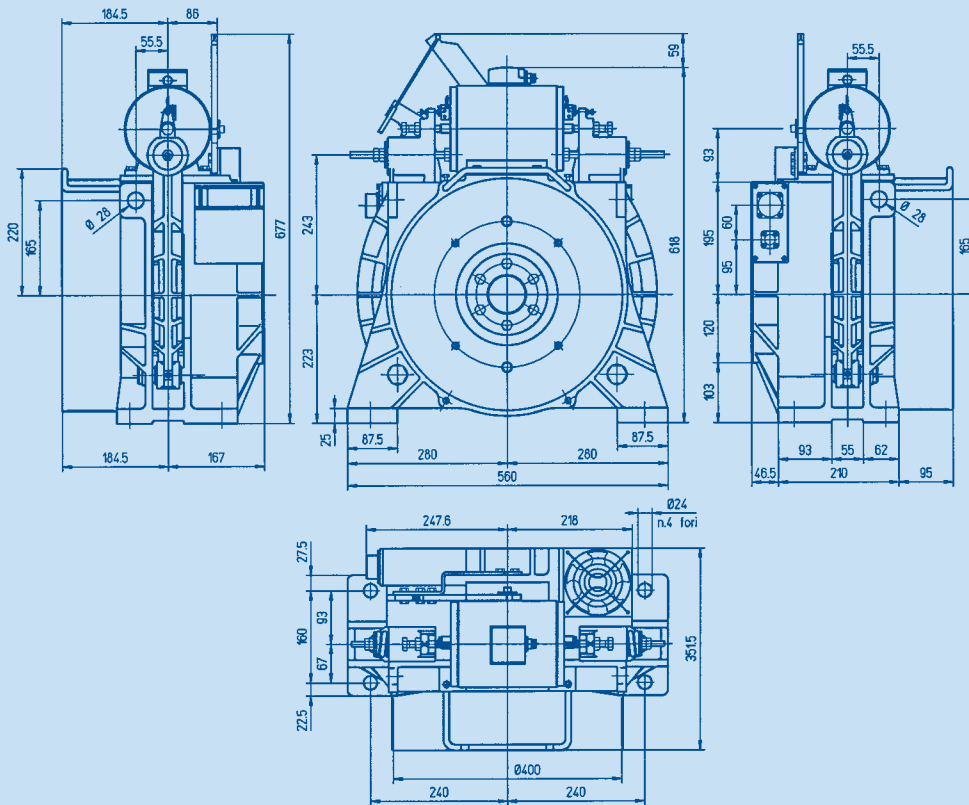


MCG 150





OPTIONAL:

**MANOVRA DI EMERGENZA MANUALE
MANUAL EMERGENCY DEVICE
MANOUVRE D'EMERGENCE MANUELLE
NOTVORRICHTUNG FÜR HANDBETRIEB**

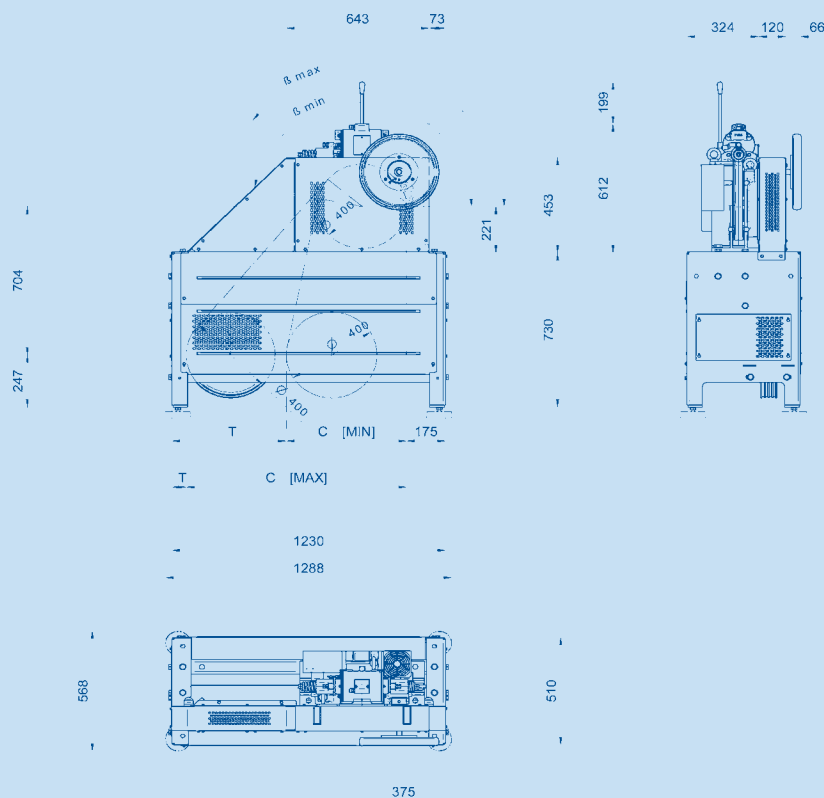
**ARTICOLO / ITEM
MEMCG00000**

**CONFORME ALLA NORMA
COMPLIANCE WITH THE STANDARD
CONFORMITÉ AVEC LA NORME
EINHALTUNG DER NORM
EN81-1, PAR. 1.5,1 12.5.1.1**



**SOLUZIONE PER MODERNIZZAZIONI
SOLUTION FOR MODERNIZATION
SOLUTION POUR LA MODERNISATION
LÖSUNG FÜR DIE MODERNISIERUNG**

**TIRO / ROPING / MOUFLAGE / AUFHAENGUNG 2:1
PORTATA / LOAD / CHARGE UTIL / NUTZLAST/ MAX 480 KG.**



C	β	T
mm	deg	mm
540 (min)	169 (max)	515
990 (max)	140 (min)	65

C < 540 a richiesta / Upon request

Codice Code	Carico Statico Static Load Charge Statique Statische Belastung kg	Momento Torcente Nominale Nominal Torque Moment Moment de torsion nomila Nenn Drehmoment Nm	R.P.M. max.	Freno Brake Frein Bremse min ⁻¹	Peso Weight Poids Gewicht kg
MG200.3	1600	200 S5 40% ED	400	207 Vcd, 170 W 2 x 280 Nm	98
MGV25.2	1600	265 S5 40% ED	400	207 Vcd, 170 W 2 x 280 Nm	120
MGV25.3	2000	390 S5 40% ED	400	207 Vcd, 170 W 2 x 380 Nm	180
MGV25.5	3400	590 S5 40% ED	400	207/104 Vcd, 600/150 W 2 x 600 Nm	240
MG34S.4	5500	720 S5 40% ED	435	207/104 Vcd, 172/43 W 2 x 750 Nm	370
MG34S.6	5500	1100 S5 40% ED	348	207/104 Vcd, 236/59 W 2 x 950 Nm	445
MGC150	2000	850 S5 40% ED	153	207/104 Vcd, 564/141W 2 x 550 Nm	280
MGV30.4	5500	900 S5 40% ED	249	207/104 Vcd, 564/141W 2 x 750 Nm	450
MGV30.6	5500	1500 S5 40% ED	249	207/104 Vcd, 564/141W 2 x 1200 Nm	520
MDD35	4000	550 S5 40% ED	153	207/104 Vcd, 352/89 W 2 x 1350 Nm	450
MDD70	4000	1100 S5 40% ED	153	207/104 Vcd, 352/89 W 2 x 1350 Nm	470

NOTE:

Alimentazione rete / Power supply network / Réseau d'alimentation électrique / Stromversorgungsnetz: 400V, optional 230V

Encoder standard / Encodeur Standard / Impulsgeber Standard:

Heidenhain ERN 487

Heidenhain ERN 413 Endat

MG200: puleggia / Sheave / Poulie / Treibscheibe: Ø160 – 210 mm



TIRO / ROPING / MOUFLAGE / AUFHAENGUNG: 1:1

Q=Load P=Cabin	TYPE	PULLEY	ROPES	MAX STATIC LOAD	NOTE
Q=225kg P=300kg	MG200	210mm	3x6,5mm	1600kg	
	MGV25.2	240mm	3x6,5mm	1600kg	
	MG250.3	320mm	3x8mm	3400kg	
	MGG150	400mm	3x8mm	2000kg	
Q=320kg P=400kg	MDD035	400mm	3x8mm	4000kg	
	MG200	160mm	7x6,5mm	1600kg	
	MG200	210mm	4x6,5mm	1600kg	Duty 30%
	MGV25.2	210mm	4x6,5mm	1600kg	
	MG250.3	240mm	3x6,5mm	3400kg	
	MGV25.3	320mm	4x8mm	3400kg	
	MG250.5	320mm	4x8mm	3400kg	
Q=375kg P=500kg	MCG150	400mm	3x8mm	2000kg	
	MDD035	400mm	3x8mm	4000kg	
	MG200	160mm	8x6,5mm	1600kg	
	MG200	210mm	5x6,5mm	1600kg	Duty 25%
	MG250.3	210mm	5x6,5mm	3400kg	
	MGV25.3	240mm	5x6,5mm	3400kg	
	MG250.5	320mm	4x8mm	3400kg	
Q=400kg P=500kg	MCG150	400mm	3x8mm	2000kg	
	MDD035	400mm	3x8mm	4000kg	
	MGV250.3	240mm	5x6,5mm	3400kg	
	MG250.5	320mm	4x8mm	3400kg	
Q=480g P=500kg	MCG150	400mm	3x8mm	2000kg	
	MDD035	400mm	3x8mm	4000kg	
	MG250.5	240mm	5x6,5mm	3400kg	
	MGV25.5	320mm	4x8mm	3400kg	
Q=630kg P=800kg	MCG150	400mm	4x10mm	2000kg	
	MDD0701200	400mm	4x10mm	4000kg	
	MG250.5	210mm	7x6,5mm	3400kg	
	MGV25.5	240mm	6x6,5mm	3400kg	
	MG340.4	320mm	5x8mm	5500kg	
Q=800kg P=900kg	MG300.4	400mm	4x10mm	5500kg	
	MDD0701200	400mm	4x10mm	4000kg	
	MG340.4	240mm	7x6,5mm	5500kg	
	MG340.6	320mm	6x8mm	5500kg	
Q=1000kg P=1100kg	MG30.6	400mm	5x10mm	5500kg	
	MDD0701600	400mm	5x10mm	4000kg	
	MG340.4	320mm	7x8mm	5500kg	
	MG300.6	400mm	5x10mm	5500kg	

CONDIZIONI - CONDITIONS: EFFICIENZA DELL'IMPIANTO : 81%; SENZA RINVII - INSTALLATION EFFICENCY 81%; NO DIVERTOR PULLEY
FUNI CONSIDERATE - ROPES CONSIDERED: 6,5 mm T250 DRAKO; 8mm 38700N; 10 mm 51900N
Velocità fino ad 1,6m/s; corsa di 20 metri; contrapp. al 50%; 180A/h; 35% Duty - Speed up to 1,6 m/s; 20m travel; counterw 50%; 180A/h; 35% Duty
Per altre configurazioni si prega di contattare Montanari Giulio & C. - For other configurations please contact Montanari Giulio & C.



TIRO / ROPING / MOUFLAGE / AUFHAENGUNG: 2:1

Q=Load P=Cabin Load	TYPE	PULLEY	ROPES	MAX STATIC LOAD	NOTE
Q=320kg	MG200	210mm	3x6.5mm	1600kg	
	MGV25.2	320mm	2x8mm	1600kg	
P=400kg	MCG150	400mm	2x8mm	2000Kg	
	MDD035	400mm	2x8mm	4000Kg	
Q=408kg	MG200	210mm	4x6.5mm	1600kg	
	MGV25.2	320mm	3x8mm	1600kg	
Q=480kg P=500kg	MG200	210mm	4x6.5mm	1600kg	
	MGV25.2	240mm	4x6.5mm	1600kg	
	MCG150	400mm	2x10mm	2000Kg	
	MDD035	400mm	2x10mm	4000Kg	
Q=544Kg P=600kg	MGV250.2	210mm	4x6.5mm	3400kg	
	MGV250.3	320mm (240mm)	3x8mm (4x6.5mm)	3400kg	
	MCG150	400mm	3x8mm	2000Kg	
	MDD035	400mm	3x8mm	4000Kg	
Q=630kg P=800kg	MG200	160mm	7x6.5mm	1600kg	Duty 30%
	MG200	210mm	4x6.5mm	1600kg	
	MGV25.2	210mm	4x6.5mm	1600kg	
	MG250.3	240mm	4x6.5mm	3400kg	
	MGV25.3	320mm (240mm)	4x8mm (5x6.5mm)	3400kg	
	MCG150	400mm	3x8mm	2000Kg	
Q=680kg P=800kg	MGV25.3	320mm (240mm)	4x8mm (5x6.5mm)	3400kg	
	MCG150	400mm	4x10mm	2000Kg	
	MDD035	400mm	4x10mm	4000Kg	
Q=800kg P=900kg	MGV25.3	240mm	6x6.5mm	3400kg	
	MGV25.5	320mm	5x8mm	3400kg	
	MCG150	400mm	4x10mm	2000Kg	
	MDD035	400mm	4x10mm	4000Kg	
Q=884kg P=1000kg	MGV25.3	240mm	6x6.5mm	3400kg	
	MGV25.5	320mm	6x8mm	3400kg	
	MCG150	400mm	4x10mm	2000Kg	
	MDD035	400mm	4x10mm	4000Kg	
Q=1000kg P=1100kg	MGV25.3	210mm	7x8mm	3400kg	
	MG250.5	240mm	7x6.5mm	3400kg	
	MGV25.5	320mm	6x8mm	3400kg	
	MCG150	400mm	4x10mm	2000Kg	
Q=1275kg P=1300kg	MDD0701200	400mm	4x10mm	4000Kg	
	MGV25.5	240mm	7x6.5mm	3400kg	
	MG340.4	320mm	7x8mm	5500kg	
	MG300.4	400mm	5x10mm	5500kg	
Q=1600kg P=1700kg	MDD0701600	400mm	5x10mm	4000Kg	
	MG340.4	240mm	9x6.5mm	5500kg	
	MG340.6	320mm	7x8mm	5500kg	
	MG300.6	400mm	6x10mm	5500kg	
Q=2000kg P=2100kg	MDD0701600	400mm	6x10mm	4000Kg	
	MG340.6	320mm	8x8mm	5500kg	
	MG300.6	400mm	7x10mm	5500kg	

CONDIZIONI - CONDITIONS: "EFFICIENZA DELL'IMPIANTO: 81%; SENZA RINVII - INSTALLATION EFFICIENCY 81%; NO DIVERTOR PULLEY"
FUNI CONSIDERATE - ROPES CONSIDERED: "6.5mm T250 DRAKO; 8mm 38700N; 10mm 51900N"
 "Velocità fino ad 1,6 m/s; corsa di 20 metri; contrapp. al 50%; 180A/h; 35% Duty - Speed up to 1.6m/s; 20m travel; counterw. 50%; 180A/h; 35% Duty"
 Per altre configurazioni si prega di contattare Montanari Giulio & C. - For other configurations please contact Montanari Giulio & C.

